

SEITRON SPA

36065 - Mussolente (VI) - ITALY
 Via del Commercio, 9/11
 Tel. +39 0424 567842 - Fax. +39 0424 567849
 info@seitron.it - www.seitron.it



ALP03U



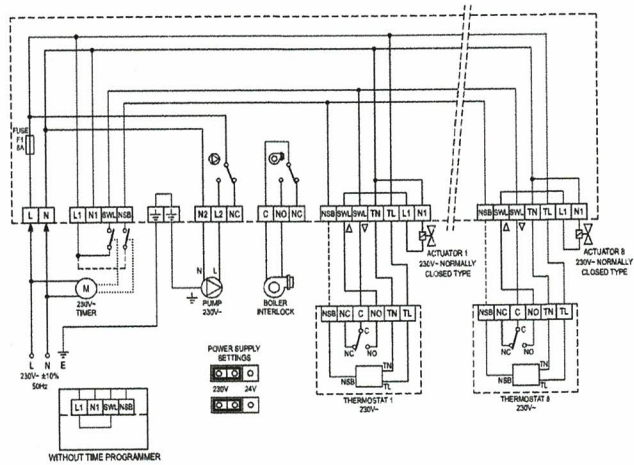
**8 CHANNELS WIRING BOX
 PUMP CONTROL 230V - 24V AND BOILER**

Electronic control for heating floor systems. The control offers the possibility to connect up to 8 thermostats and 8 actuators with selectable power supply between 230V~ or 24V~. Pump output is available + boiler interlock, input for an external clock for the activation of the section of the actuators and thermostats.

TECHNICAL FEATURES

Power supply	230V ±10% 50Hz or 24V ±10% 50Hz
Power absorption	Depends on the loads connected
Output :	
Pump (powered)	5A @ 250V~ SPDT
Boiler (voltage free)	1A @ 250V~ SPDT
Actuators and thermostats	8x1A @ 250V~
Green LED indicator	Power supply
Red LED indicator	Pump active
IP protection	IP30
Case	ABS V0 self-extinguishing
Dimensions	H100 W245 D60mm

ALP 03U 230V



ALP 03U 24V

