

Y-strainer art. FI 10



Strainers block impurities included in water flow or coming from water mains, thus preventing their accumulation in the elements installed along the hydraulic line. Y-strainers art. FI 10 are suitable for application in plumbing, heating and conditioning systems. They can be easily cleaned thanks to their inspection plug. Available with female connections 1/2" to 4".

■ TECHNICAL FEATURES

Temperature range: $-20 \div +110$ °C in absence of steam

Max working pressure:

- DN 15 ÷ DN 50: 20 bar
- DN 65 ÷ DN 100: 16 bar

Porosity:

- DN 15 ÷ DN 50: 500 μm
- DN 65 ÷ DN 100: 800 μm

■ MATERIALS

Brass body:

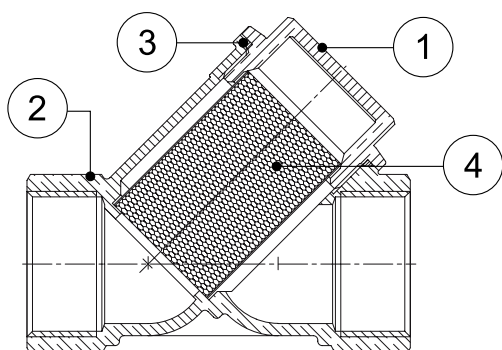
- DN 15 ÷ DN 50: CW617N
- DN 65 ÷ DN 100: CB753S

Inspection plug: CW617N

Rubber parts: NBR

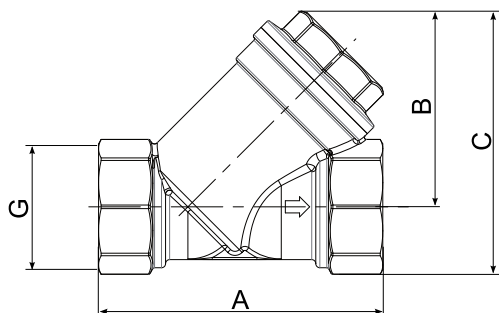
Strainer: stainless steel AISI 304

■ MAIN COMPONENTS



1. Inspection plug
2. Body
3. Gasket
4. Strainer

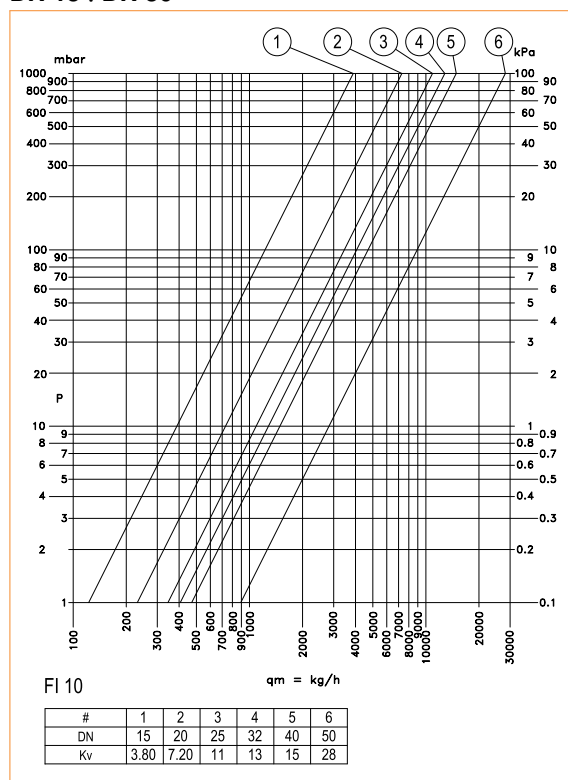
DIMENSIONS



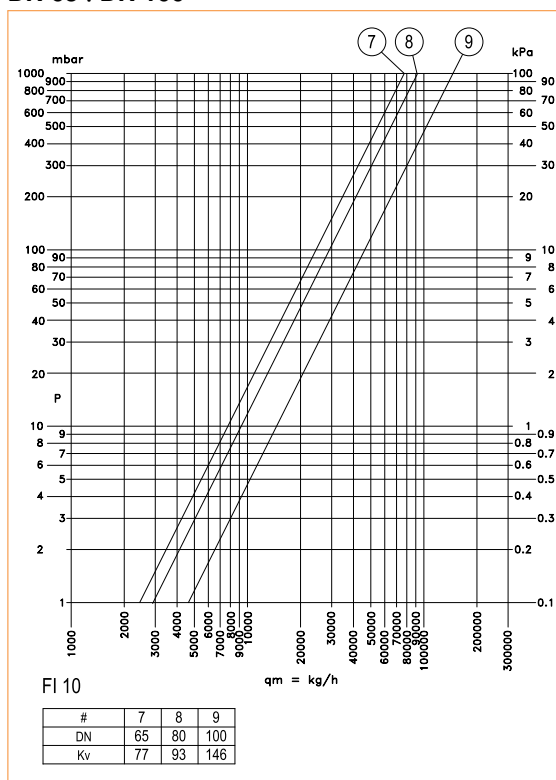
COD.	DN	A	B	C	G
509036	15	58	40	53.25	1/2" F
509037	20	70	48	64.6	3/4" F
509038	25	87	56	76.35	1" F
509039	32	96	64	89.2	1"1/4 F
509040	40	106	73	102	1"1/2 F
509041	50	126	88.5	124.6	2" F
509042	65	150	105	150.75	2"1/2 F
509043	80	169	120	173.25	3" F
509044	100	219	162	229	4" F

HYDRAULIC FEATURES

DN 15 ÷ DN 50



DN 65 ÷ DN 100



I.V.A.R. S.p.A.
 Via IV Novembre 181
 25080 Prevalle (BS)
 Tel. +39 030 68028
 Fax +39 030 6801329
 www.ivar.eu - info@ivar.eu

I.V.A.R. S.p.A. reserves the right to make enhancements and changes to products and relative documentation at any time without prior notice. All rights reserved. Reproduction, even partial, is forbidden without prior permission by the copyright owner.